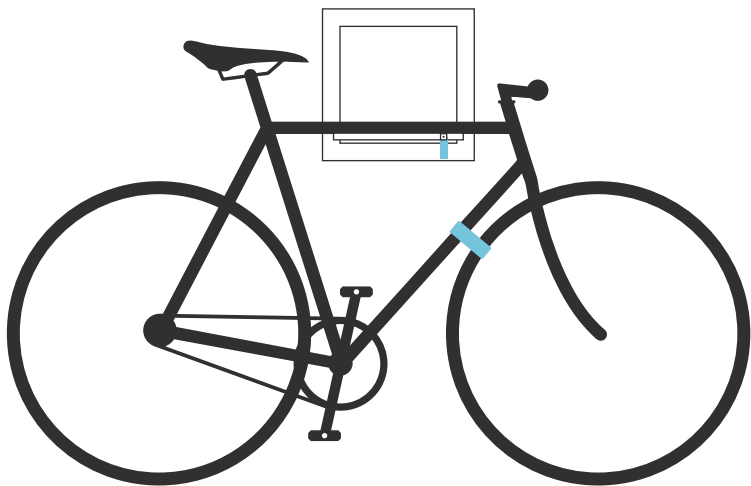


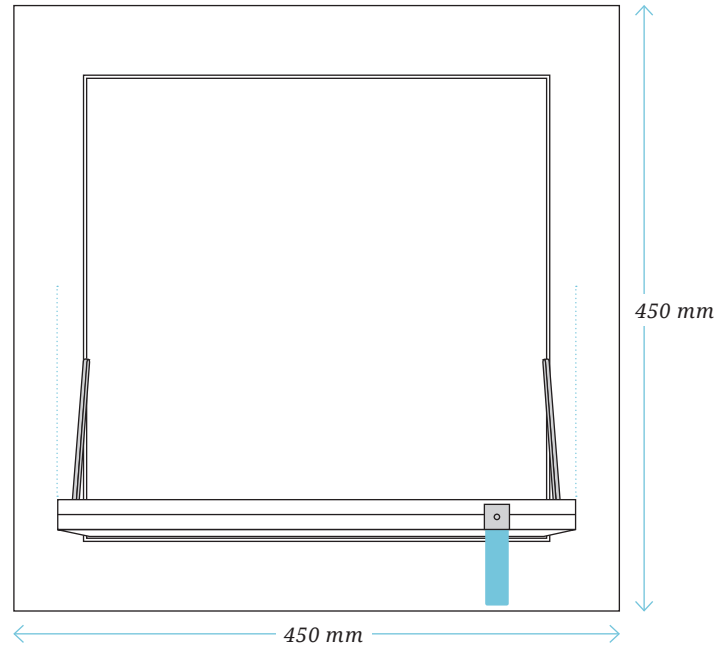


WILL MY BIKE FIT ON SLÎT?

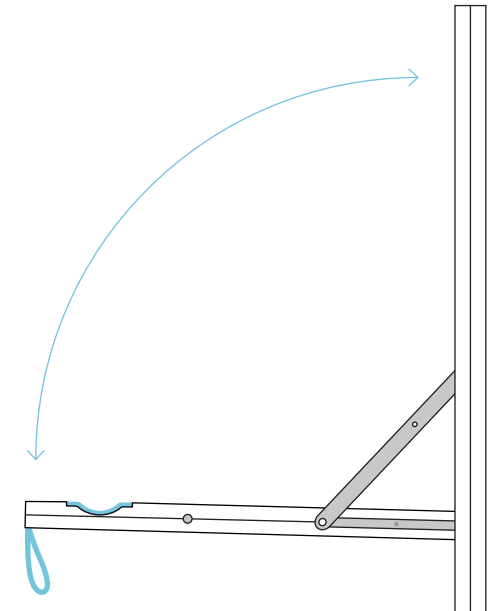
It's easy to find out whether your bike will fit on SLÎT. Bicycles with classical diamond frames with a straight or slightly sloping top tube are suited best to SLÎT. The triangle between the top tube, the down tube, and the seat tube should provide space for a rectangle of at least 34 cm width and 2 cm height. Your handlebars should not be more than 59 cm wide. In addition, SLÎT will support bicycles with a maximum weight of 15 kg (when mounted on a sufficiently sturdy wall).



FRONT VIEW



SIDE VIEW



MEASUREMENTS